

Samyang AF 14mm F2.8 F Instruction Manual

Thank you for purchasing this Samyang Optics product.

The Samyang AF 14mm F2.8 F lens is a high performance single vision lens designed exclusively for the F-mount of Nikon interchangeable-lens cameras.

Advantages

- Designed for the latest high pixel DSLR cameras for excellent optical capability.
- Designed for cameras with 35mm full frame image sensors for excellent pictures and videos.
- The lens minimizes various aberrations, and creates a clear image by using high precision aspherical and high refractive lenses.
- Although it is a wide-angle lens, it has excellent distortion control and provides an excellent resolution in the center as well as the peripheral area.
- A fast and accurate AF (autofocus) function is provided.
- The lens is a comfortable size to hand hold which provides stability when shooting.
- Its simple but refined design, in addition to its metallic material, ensures a luxurious look and excellent durability.
- This product is designed in the form of an inner focus lens, meaning the lens does not come out or rotate according to the focal distance, and is therefore free from dust.

Before using

- Please read this instruction manual and familiarize yourself with the functions of the lens, the operating method, and cautions for handling the product correctly prior to use. Also refer to the instruction manual of the camera you are using with the lens.
- The supported functions of this product may vary according to the camera model.
- For detailed information regarding compatibility, visit the certified service center or refer to our homepage. (<https://www.samyanglensglobal.com>)

Cautions for using the lens

We recommend that you familiarize yourself completely with the following items to ensure proper use of the lens.

- It is dangerous to look at the sun through the lens directly. Doing so may seriously impair your vision.
- The lens is a precision optical product, so dropping or applying an excessive impact to the lens may cause product failure.
- Attach or detach the lens only when the camera is turned off.
- Be careful not to apply an impact when attaching the lens. The lens is a precision optical product, so dropping or applying an excessive impact to the lens may cause product failure.
- In order to use the lens safely, attach or detach the lens while the camera is turned off.
- Be careful not to touch or contaminate the contact point on the mount. If electronic signals are not transmitted between the camera and the lens smoothly, a malfunction may occur.
- If the camera is not used for a certain period of time, the lens will enter sleep mode. When the lens is in sleep mode, you will be unable to manually focus it even if the camera is turned on. If manual focus is impossible, press the shutter release to bring the lens out of sleep mode. You will then be able to use the manual focus function. (The amount of time it takes for the lens to enter sleep mode may vary from camera to camera.)
- When turning on the camera or pressing the shutter release to use the lens while it is in sleep mode, the camera will focus and reset aperture position for approximately 1 to 2 seconds and the view through the viewfinder may be out of focus temporarily.
This is a normal reset operation and not a failure of the lens.

The following precautions are divided into two types according to the level of danger.

WARNING

Not following these instructions may result in death or severe injury to the user.

CAUTION

Not following these instructions may result in product damage or injury to the user.

The following pictograms are used in the below precautions:



requires caution. Inside the pictogram it shows contents of precautions. (The left pictogram shows an outbreak of fire in the pictogram.)



shows prohibition. Inside the pictogram it shows contents of prohibition. (The left pictogram shows a prohibition of dismantling.)



shows instruction. Inside the pictogram it shows contents of instructions. (The left pictogram shows an instruction of precaution in the pictogram.)

⚠ WARNING

Do not look at the sun through the lens. Doing so may cause blindness.

Keep the lens out of children's reach. It may drop or fall down, causing injury.

⚠ CAUTION

Attach the lens to the camera correctly and ensure the lens is held in place properly; otherwise the lens may not be removable, or may become loose unintentionally and cause damage.

Do not apply excessive weight on the lens while attached to the camera. Doing so may cause damage to the lens and camera mounts. Be sure to hold the lens when operating or moving.

Ensure that the camera operates properly by checking the lens beforehand or by test shooting for important events such as a wedding ceremony and an overseas trip.

Do not attempt to modify or alter the lens. Doing so may lead to failure of the camera. Modified or altered lenses may not be repaired.

Do not leave the lens in direct sunlight. Doing so may cause a fire, depending on lenses that concentrate light on a close object.

Do not look at the sun directly through a camera with a lens attached. Doing so may cause damage to eyesight.

Storing the lens

- Do not store the lens without a lens cap in a location with direct sunlight, such as inside a vehicle. Direct sunlight passing through the lens may be concentrated, causing a fire.
- If the lens is placed in a hot location, damage or distortion may occur, resulting in performance problems.
- Store the lens in a dry, well-ventilated location. Avoid direct sunlight, and do not store the lens with naphthalene or mothballs.
- Avoid using the lens in a location with drastic temperature changes. In particular, if you move a lens that has been chilled in a cold location to a warm location, moisture in the air may be concentrated outside or inside the lens, causing product failure, or the production of mold. In such a case, keep the lens in a plastic bag or an exclusive camera bag and take it out when the temperature of the lens becomes similar to the peripheral temperature.
- Keep the lens out of the reach of children. Failure to do so may cause an accident or personal injury.

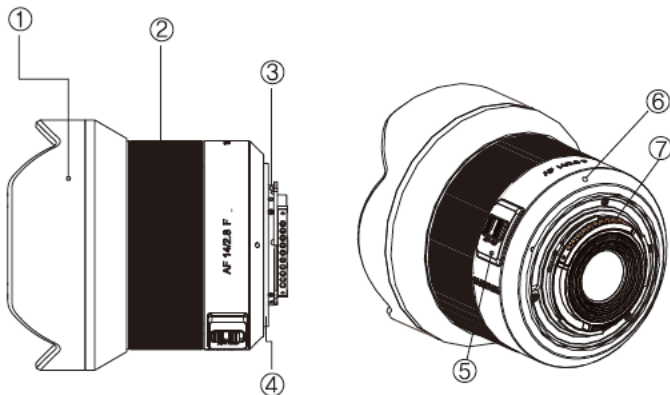
Cleaning the lens

- If the lens surface gets dirty, dust it off using a lens blower or a brush and wipe it with a soft, clean cloth (cleaning tissue, cotton cloth, etc.)
- When dusting or cleaning the lens, do not use organic solvents such as thinner, alcohol, or benzene.
- When cleaning the lens, put a small amount of ethanol or lens cleaner on a soft, clean cloth or cleaning paper and wipe the lens by circling outwards from the center.

Components

- Lens
- Lens cap (front)
- Lens cap (rear)
- Portable pouch
- Instruction manual
- Warranty card

Name of Each part



- ① Hood
- ② Focus ring
- ③ Mount
- ④ Rubber ring
- ⑤ AF/MF conversion switch
- ⑥ Lens mount index
- ⑦ Lens signal contact

Lens Installation and Detachment

- Attaching the lens
 - Remove the front cap and the rear cap of the lens.
 - Align the mount index (red dot) indicated on the lens, with the lens mount index (white dot) indicated on the camera mount rotate the lens counterclockwise until a clicking sound occurs.
- Detaching the lens
 - With the camera lens-detaching button pressed, detach the lens by rotating it clockwise until the lens stops.

Focus mode setting



- Set the AF/MF conversion switch of the lens to the "AF" mode for autofocus operation.
- If you wish to set manual focus, set the AF/MF conversion switch of the lens to "MF" mode. If "MF" mode is set, you can adjust the focus manually by rotating the focus ring.

Hood and Filter Mounting

- The product is designed with a hood. Excessive force to detach the hood may cause damage to the product.
 - ※ Please contact the service center if the hood is damaged.
- The product is designed with a protruded object lens towards the subject for the best performance. Filters cannot be attached.

Product Specifications

| | | |
|--------------------------------|------------|---|
| Model name | | AF 14mm F2.8 F |
| Aperture range | | F2.8 ~ 22 |
| Angle of View | Full Frame | 116.6 ° |
| | APS-C | 92.8 ° |
| Optical construction | | 15 elements in 10 groups (including 2 aspherical lenses) |
| Minimum focusing distance | | 0.20m (0.65ft) |
| Maximum shooting magnification | | x 0.15 |
| Filter size | | Not applicable |
| Number of aperture blades | | 7 |
| Maximum diameter X length | | φ 90.5 x 93.1mm |
| Weight | | 474g |

- The minimum focus is the distance from the image sensor to the object.
- The size and weight in the specification does not include the front/rear caps.
- The product specifications and exterior design are subject to change without notice.

EMC Product

Class B equipment: Korean Class B ITE

This equipment has been registered with electromagnetic compatibility for household purposes and can be used in residential areas, as well as in all other areas.

MEMO

SAMYANG OPTICS CO.,LTD.

- <https://www.samyanglensglobal.com>
- Headquarters and Factory: 123, Jayumyeok 6-gil, Masan Hoewon-gu, Changwon, Gyeongnam, Korea (Bongam-dong)
(Masan Free Trade Zone 2 P.O.BOX 340) Postal code: 51343
TEL: +82-55-250 - 5600 FAX: +82-55-292 - 3135