

Lens Station for NIKON F Instruction Manual

I Lens Installation and Detachment I

- Attaching the lens
 - ① Remove the mount cap of the Lens Station.
 - ② Align the mount index (red) of the Lens Station to the mount connection point (white) of the lens, then rotate the lens in the CLOSE direction until a clicking sound occurs.
- Detaching the lens

With the lens-detaching button of the lens station pressed, detach the lens by rotating it in the OPEN direction to the end.

I EMC Product I



Class B equipment: Korean Class B ITE

This equipment has been registered with electromagnetic compatibility for household purposes and can be used in residential areas, as well as all other areas.

I MEMO I

.....

.....

.....

.....

.....

.....

.....

Lens Station: A device to update the firmware of the NIKON F-mount autofocus lens

Lens Manager: Software to operate the Lens station.

The Lens station is for SAMYANG NIKON F-mount autofocus lenses only.

You can update the firmware and adjust the focus and aperture with the SAMYANG Lens Manager software. Connect the lens station with your computer with enclosed USB cable.

Please familiarize yourself with the functions of this product, the operating method and cautions for handling the product correctly through this instruction manual prior to use.

For detailed information regarding compatibility, visit our distributor or the certified service center in your area, or make an inquiry through our message board on website.

I Components I

- Lens Station
- Mount cap
- USB cable
- Instruction Manual
- Product warranty

● Please read this instruction manual prior to use. ●

● Thank you for purchasing this Samyang Optics product. ●

SAMYANG OPTICS CO., LTD.

- <https://www.samyanglensglobal.com>
- Headquarters and Factory: 123, Jayumuyeok 6-gil, Masan Hoewon-gu, Changwon, Gyeongnam, 51343, Korea (Bongam-dong)
TEL: +82-55-250 - 5600 FAX: +82-55-292 - 3135

I User Guide I

Download the SAMYANG Lens Manager from www.samyanglensglobal.com

The SAMYANG Lens Manager is compatible with SAMYANG NIKON F autofocus lenses only.

The device does not functional with SAMYANG manual focus lenses or other brands.

For more information, please refer to the user manual from 'SAMAYANG lens manager'

(Run "SAMYANG lens manager" → select "Lens station")

Visit our website to download the files for firmware update from "Download" page

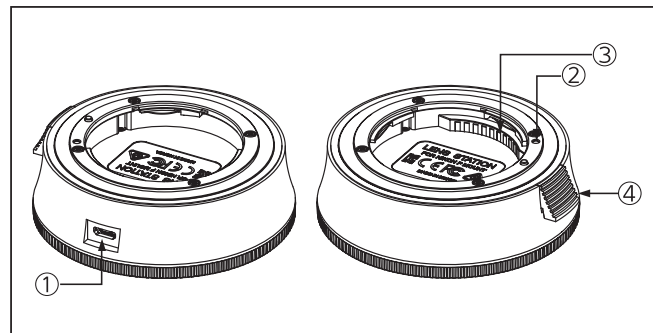
I Caution I

- Other mount types can not be connected to the lens station with mount adaptor.
- Use it after placing the front of the lens facing downward (the mount facing upward).
- Be careful: if you have a long lens fitted, it may fall down or drop.
- Use the USB cable provided together with the product.
If you use other cables, the product may not function correctly.

I Product Specifications I

- Interface: USB2.0
- Power: USB Bus Power (5.0V \pm 5%)
- Current consumption: 500mA (Max.)
- Size: ϕ 78.1mm x 25.0mm(H)
- Weight: 64.6g (excluding the cap)
- Operating environment: Temperature 0°C ~ 40°C , Humidity : 30~70% (No condensation)
- System requirements: OS - Windows 7 or higher, Mac OS 10.10 ~ 10.13

I Name of Each Part I



① USB connection terminal

② Lens mount index

③ Signal contact

④ Lens detaching button